

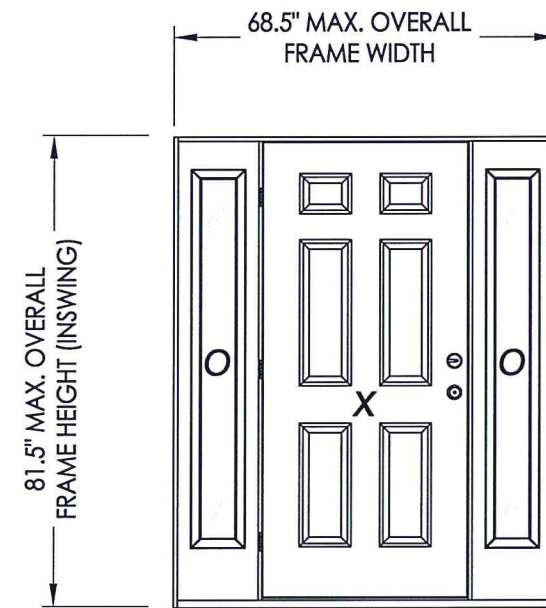
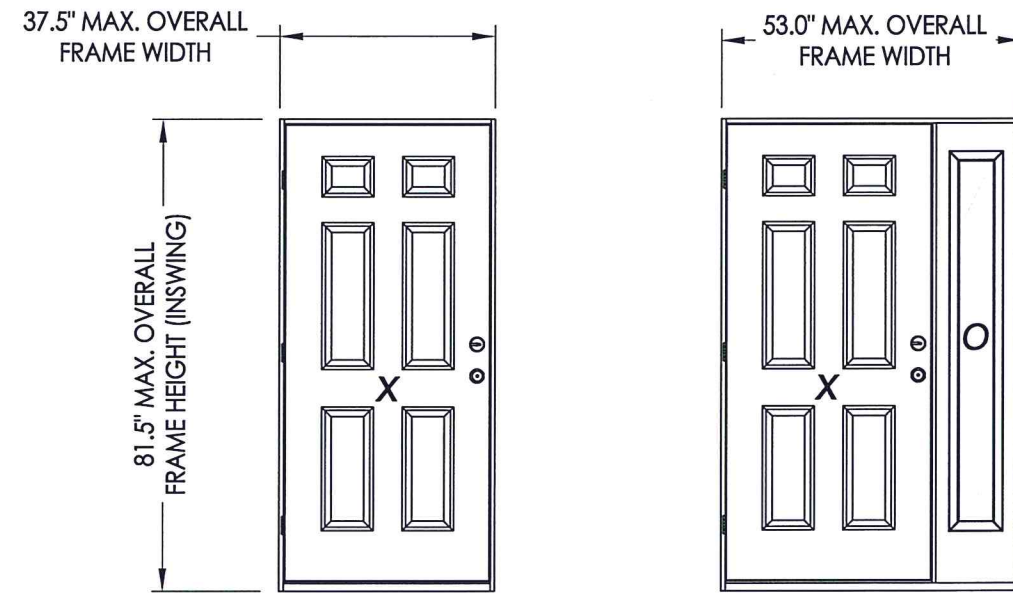


# OPAQUE FIBERGLASS ENTRY DOOR SINGLES w/ or w/out SIDELITES

**INSWING  
"NON-IMPACT"**

### GENERAL NOTES

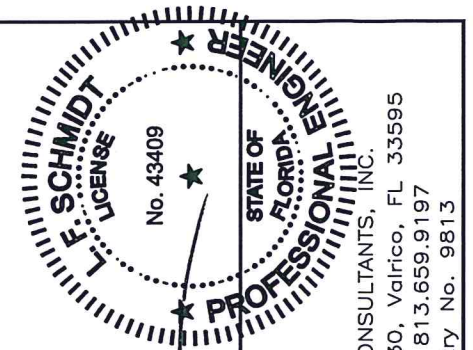
1. This product has been evaluated and is in compliance with the 7th Edition (2020) Florida Building Code (FBC) structural requirements excluding the "High Velocity Hurricane Zone" (HVHZ).
2. Product anchors shall be as listed and spaced as shown on details. Anchor embedment to base material shall be beyond wall dressing or stucco.
3. When used in areas requiring wind borne debris protection, this product is required to be protected with an impact resistant covering that complies with FBC Sections 1609.1.2 & R301.2.1.2.
4. For 2x stud framing construction, anchoring of these units shall be the same as that shown for 2x buck masonry construction.
5. Site conditions that deviate from the details of this drawing require further engineering analysis by a licensed engineer or registered architect.



**CONTINUOUS HEAD & SILL**

CONFIGURATION	MAX. FRAME DIMENSION	INTEGRAL MULLION WIDTH	DESIGN PRESSURE (PSF) INSWING	
			POSITIVE	NEGATIVE
X	37.5" x 81.5"	N/A	+50.0	-55.0
OX/XO	52.125" x 81.5"	1.625"	+40.0	-50.0
	53.0" x 81.5"	2.5"	+45.0	-50.0
OXO	66.75" x 81.5"	1.625"	+40.0	-50.0
	68.5" x 81.5"	2.5"	+45.0	-50.0

TABLE OF CONTENTS	
SHEET #	DESCRIPTION
1	Typical Elevations, Design Pressures & General Notes
2	Door Panel Details & Glazing Details
3	Sidelite Panel Details
4	Elevations
5	Horizontal & Vertical Cross Sections (2X Buck)
6	Horizontal & Vertical Cross Sections (1X Buck)
7	Horizontal & Vertical Cross Sections (Direct to Masonry)
8	Horizontal Cross Sections
9	Vertical Cross Sections
10	Buck Anchoring
11	Frame Anchoring & Hardware Details
12	Bill of Materials & Components



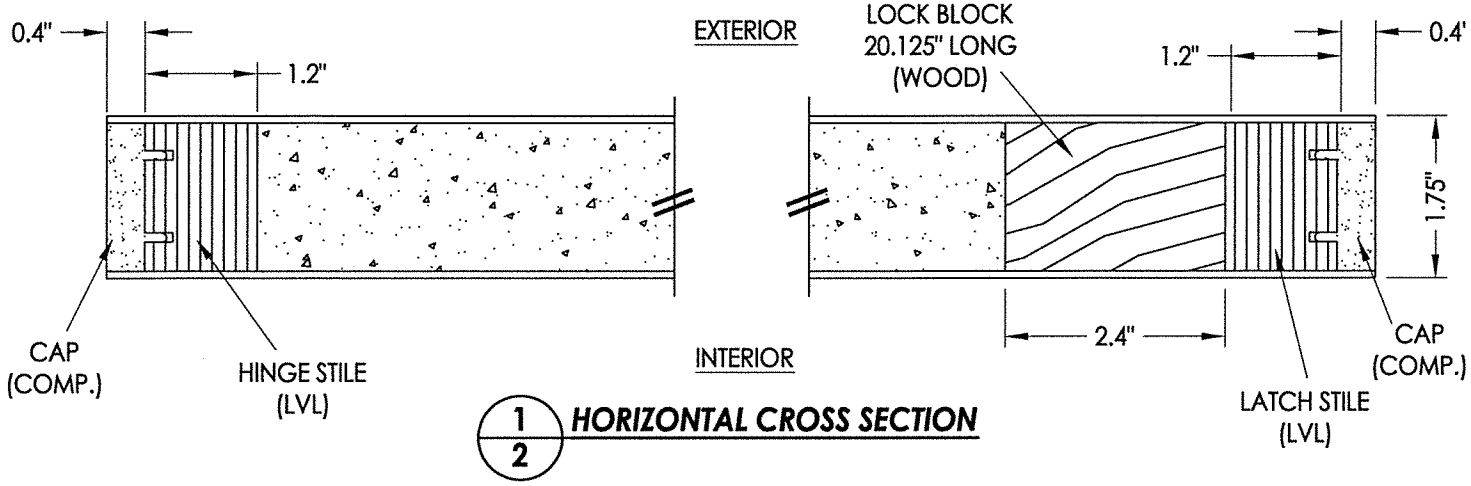
August 6, 2020  
 Documents Prepared By:  
 Lyndon F. Schmidt  
 P.E. No. 43409  
 BUILDING CONSULTANTS, INC.  
 P.O. Box 230, Valrico, FL 33595  
 Phone No.: 813.659.9197  
 FBPE Registry No. 9813

PRODUCT:	DOORSCAPES FIBERGLASS DOOR
PART OR ASSEMBLY:	TYPICAL ELEVATION, DESIGN PRESSURES & GENERAL NOTES
DATE:	1/21/19
SCALE:	N.T.S.
DWG. BY:	MT
CHK. BY:	LFS
DRAWING NO.:	FL-28831.1
SHEET	1 OF 12

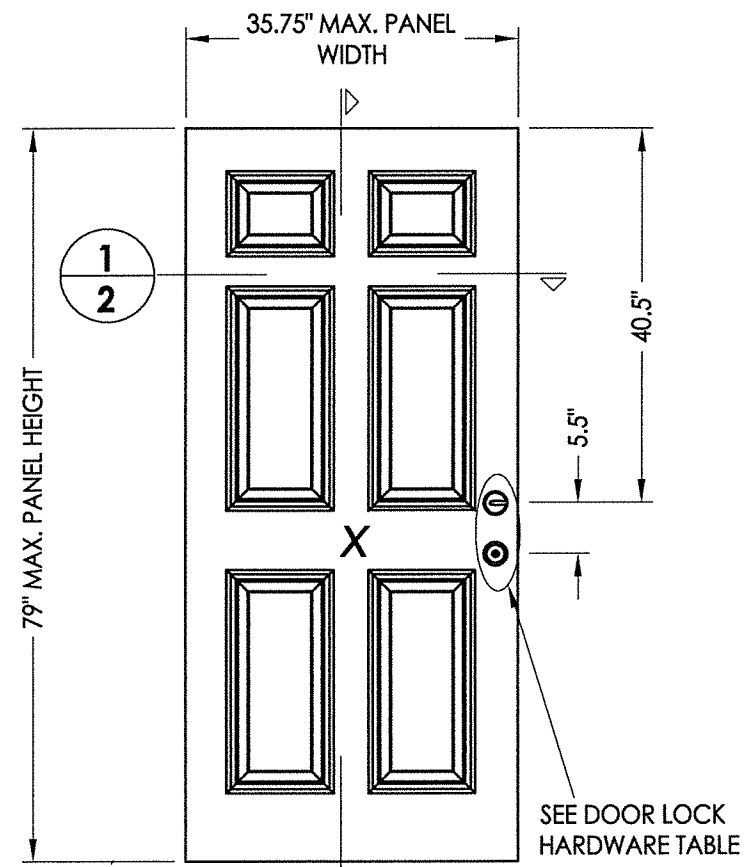
R:\Clients\Doorscapes\A - Florida Product Approvals\FL-28831 (FG Door)\C - Drawings\FL-28831 (2020)\FL28831.1-2.dwg, FL-28831.1

© 2019 R.W. BUILDING CONSULTANTS INC.

R:\Clients\Doorscapes\A - Florida Product Approvals\FL-28831 (FG Door)\C - Drawings\FL-28831 (2020)\FL28831.1-2.dwg, 2.1



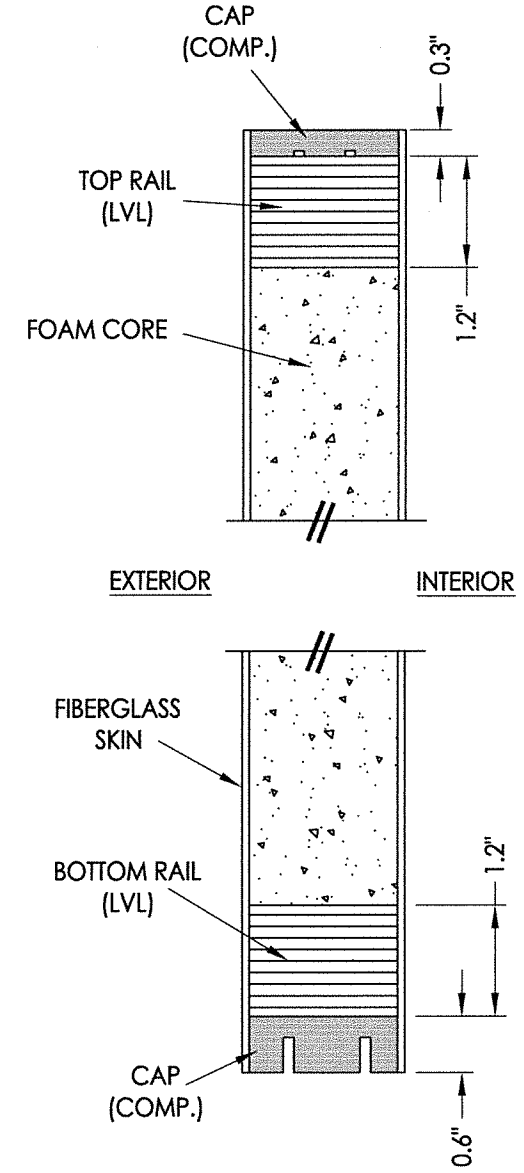
**1**  
**2** **HORIZONTAL CROSS SECTION**



**2**  
**2** **40 DOOR PANEL**  
Doorscapes

HARDWARE TABLE	
MANUFACTURER	MODEL
YALE	KNOB: YE SERIES (10) DEADBOLT: YE SERIES (82E)

FIBERGLASS SKIN: 0.075" MIN. THK.  
FOAM CORE: POLYURETHANE -1.9 PCF MIN.



**2**  
**2** **VERTICAL CROSS SECTION**

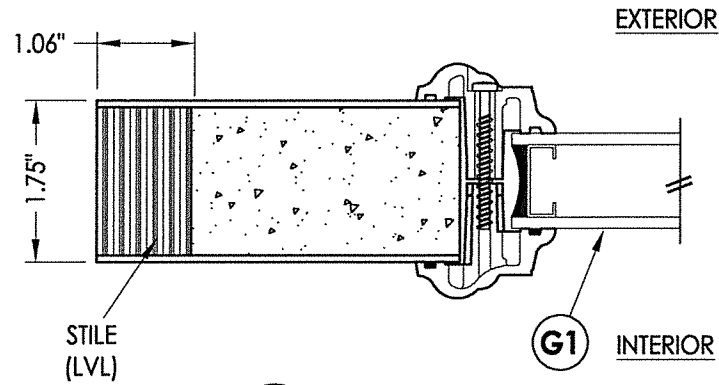
August 6, 2020  
 Documents Prepared By:  
 Lyndon F. Schmidt  
 P.E. No. 4-3409  
 R.W. BUILDING CONSULTANTS, INC.  
 P.O. Box 230, Valrico, FL 33595  
 Phone No.: 813.659.9197  
 FBPE Registry No. 9813

PRODUCT: DOORSCAPES FIBERGLASS DOOR  
 PART OR ASSEMBLY: DOOR PANEL DETAILS & GLAZING DETAILS

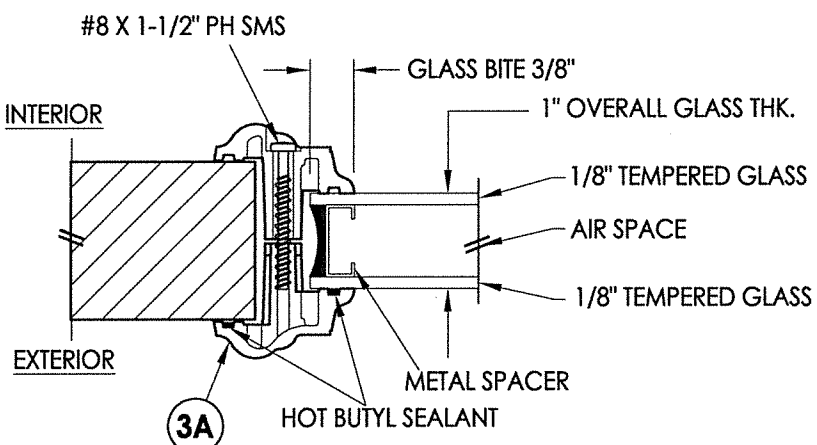
NO.	DATE	BY	REVISIONS
1	8/06/20	FBC	UPDATE TO 7TH ED. (2020)

DATE: 1/21/19  
 SCALE: N.T.S.  
 DWG. BY: MT  
 CHK. BY: LFS  
 DRAWING NO.: FL-28831.1  
 SHEET 2 OF 12

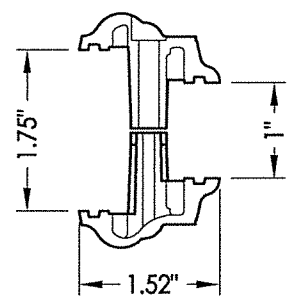
R:\Clients\Doorscapes\VA - Florida Product Approvals\FL-28831 (FG Door)\C - Drawings\FL-28831 (2020)\FL28831.1-2.dwg, 3.1



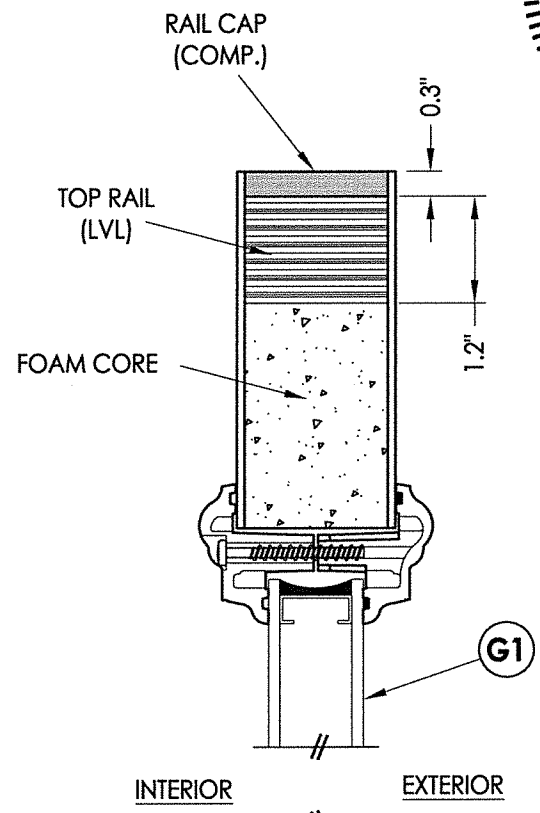
**1**  
**3** HORIZONTAL CROSS SECTION



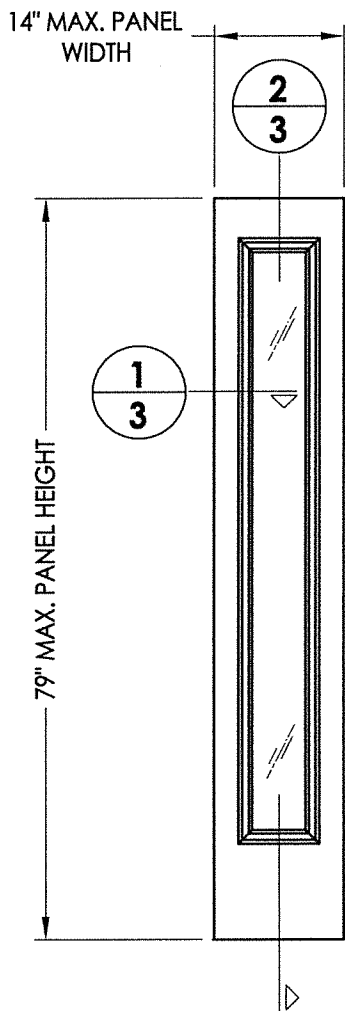
**G1** GLAZING DETAIL  
RSL LITE FRAME



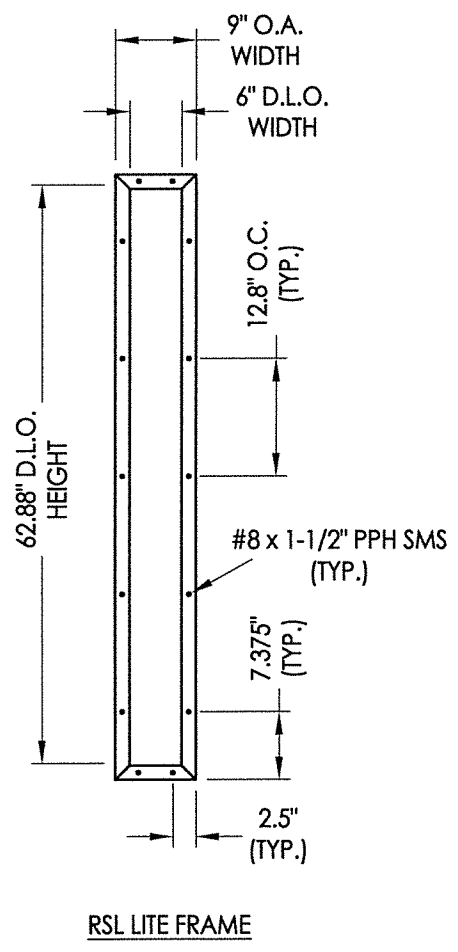
**3A** RSL LITE FRAME  
PVC



**2**  
**3** VERTICAL CROSS SECTION

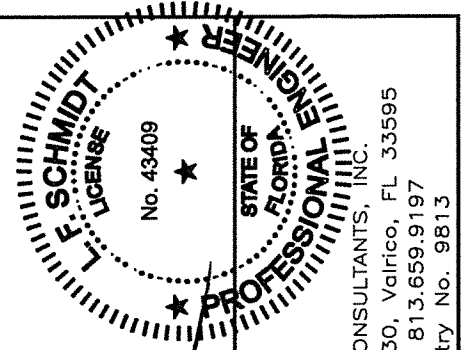


**50** SIDELITE PANEL  
Doorscapes



RSL LITE FRAME

FIBERGLASS SKIN: 0.075" MIN. THK.  
FOAM CORE: POLYURETHANE -1.9 PCF MIN.



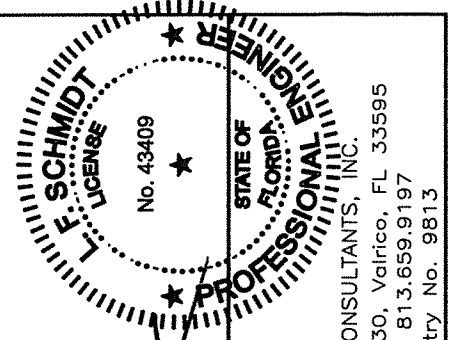
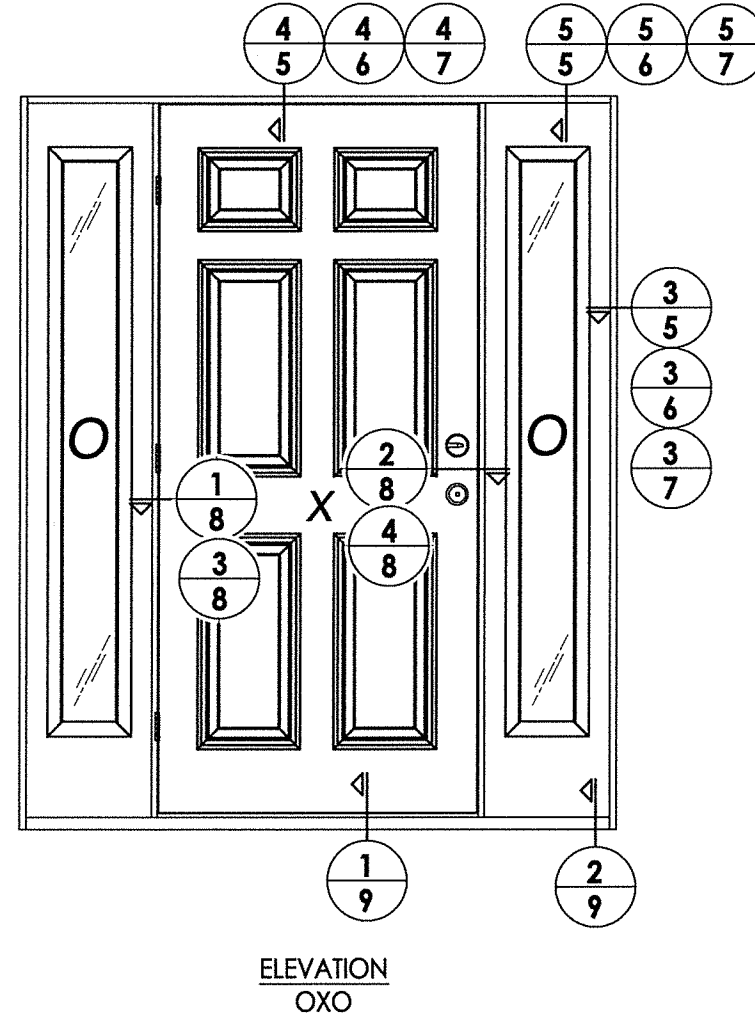
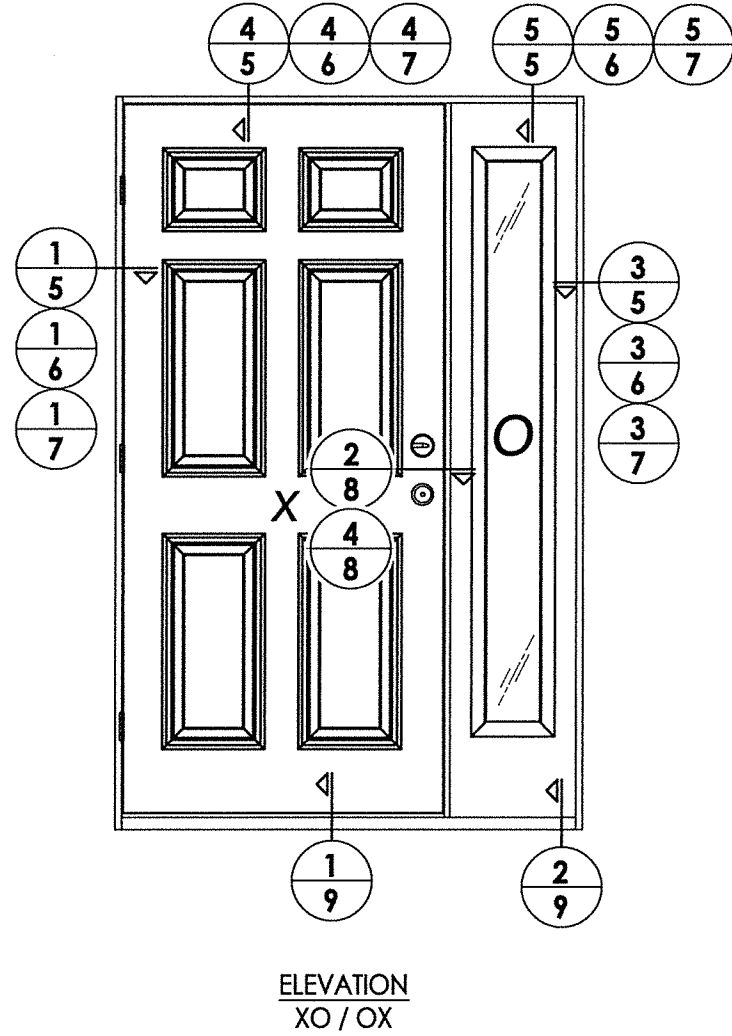
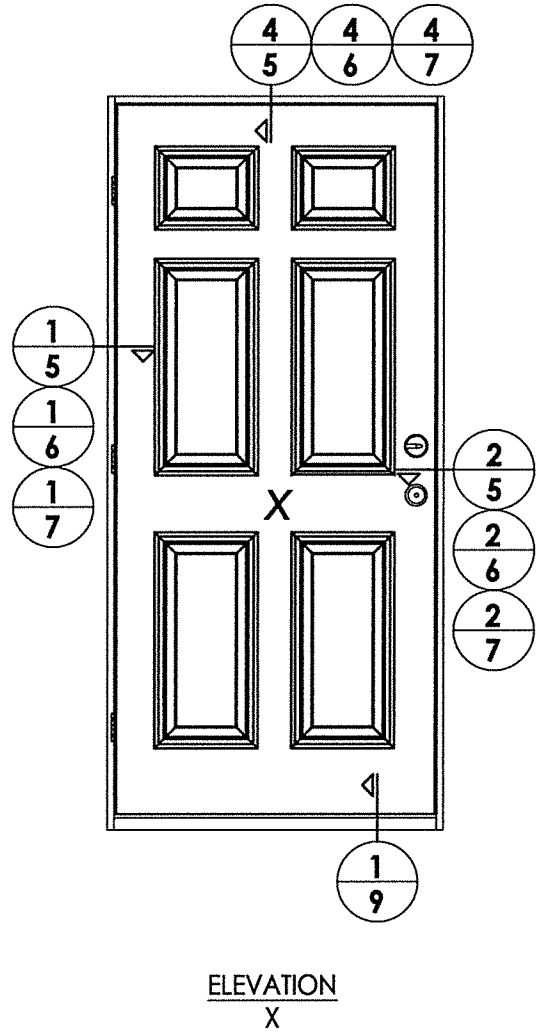
August 6, 2020  
Documents Prepared By:  
Lyndon F. Schmidt  
P.E. No. 43409

R.W. BUILDING CONSULTANTS, INC.  
P.O. Box 230, Valrico, FL 33595  
Phone No.: 813.659.9197  
FBPE Registry No. 9813

PRODUCT:	DOORSCAPES FIBERGLASS DOOR
PART OR ASSEMBLY:	SIDELITE PANEL DETAILS

NO.	DATE	BY	REVISIONS
1	8/06/20	FBC	UPDATE TO 7TH ED. (2020)
		LFS	

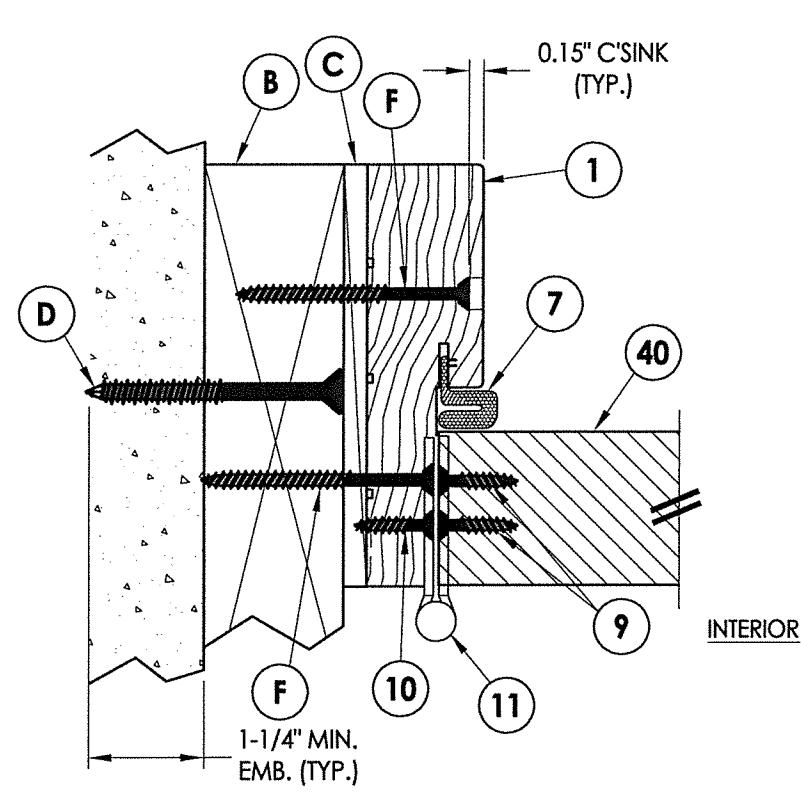
DATE:	1/21/19
SCALE:	N.T.S.
DWG. BY:	MT
CHK. BY:	LFS
DRAWING NO.:	FL-28831.1
SHEET	3 OF 12



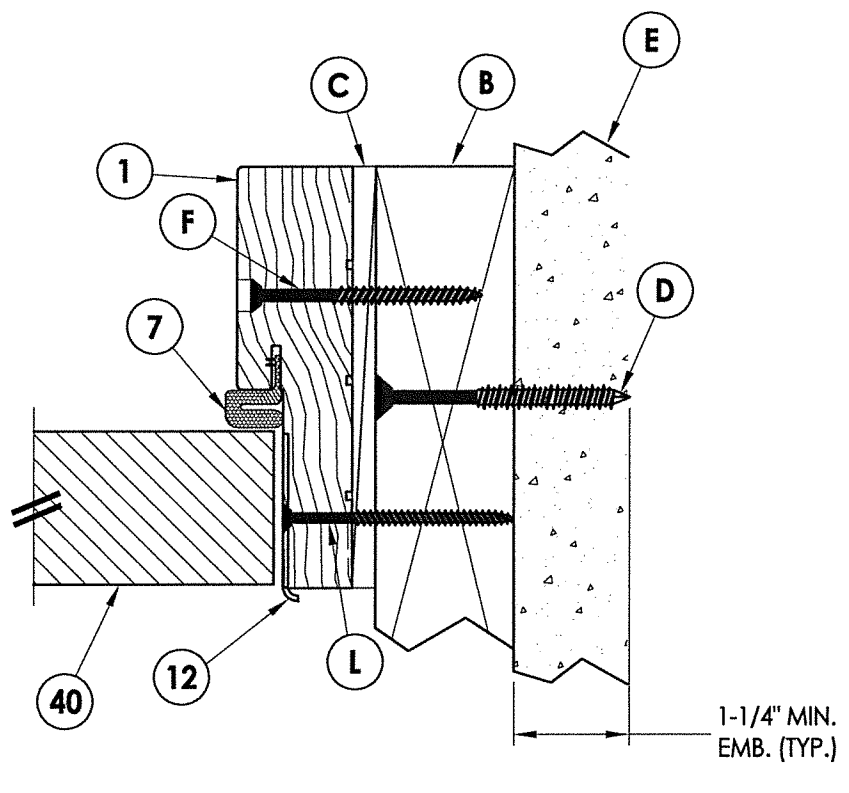
August 6, 2020  
 Documents Prepared By:  
 Lyndon F. Schmidt  
 P.E. No. 43409  
 BUILDING CONSULTANTS, INC.  
 P.O. Box 230, Valrico, FL 33595  
 Phone No.: 813.659.9197  
 FBPE Registry No. 9813

PRODUCT:		DOORSCAPES FIBERGLASS DOOR	
PART OR ASSEMBLY:		ELEVATIONS	
NO.	DATE	BY	REVISIONS
1	8/06/20	LFS	UPDATE TO 7TH ED. (2020) FBC
DATE:		1/21/19	
SCALE:		N.T.S.	
DWG. BY:		MT	
CHK. BY:		LFS	
DRAWING NO.:		FL-28831.1	
SHEET		4 OF 12	

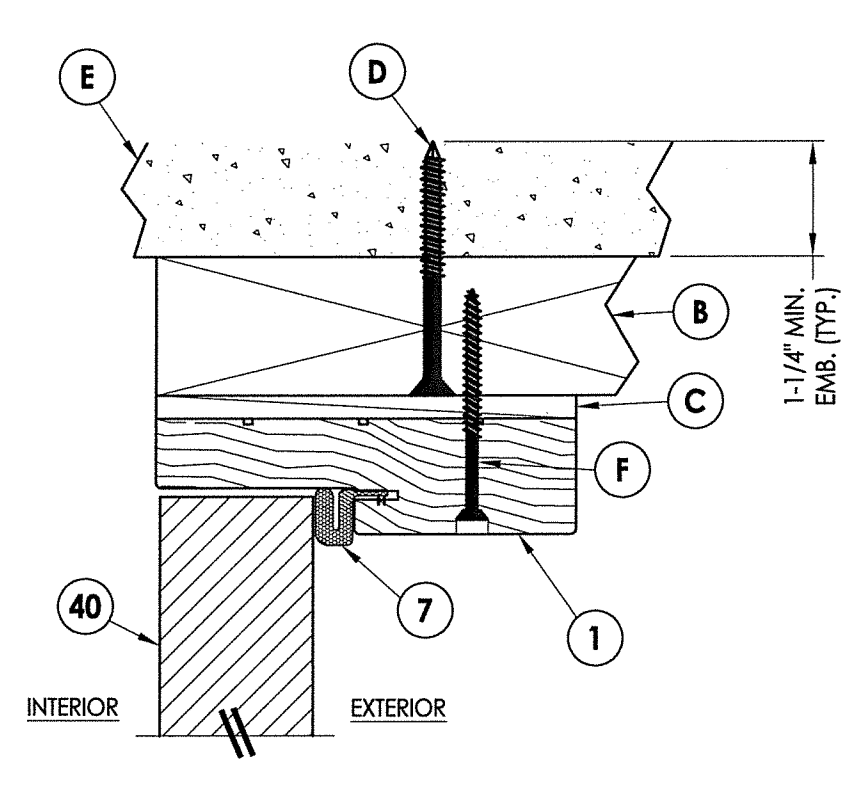
R:\Clients\DoorScapes\A - Florida Product Approvals\FL-28831 (FG Door)\C - Drawings\FL-28831 (2020)\FL28831.1-2.dwg, 5.1



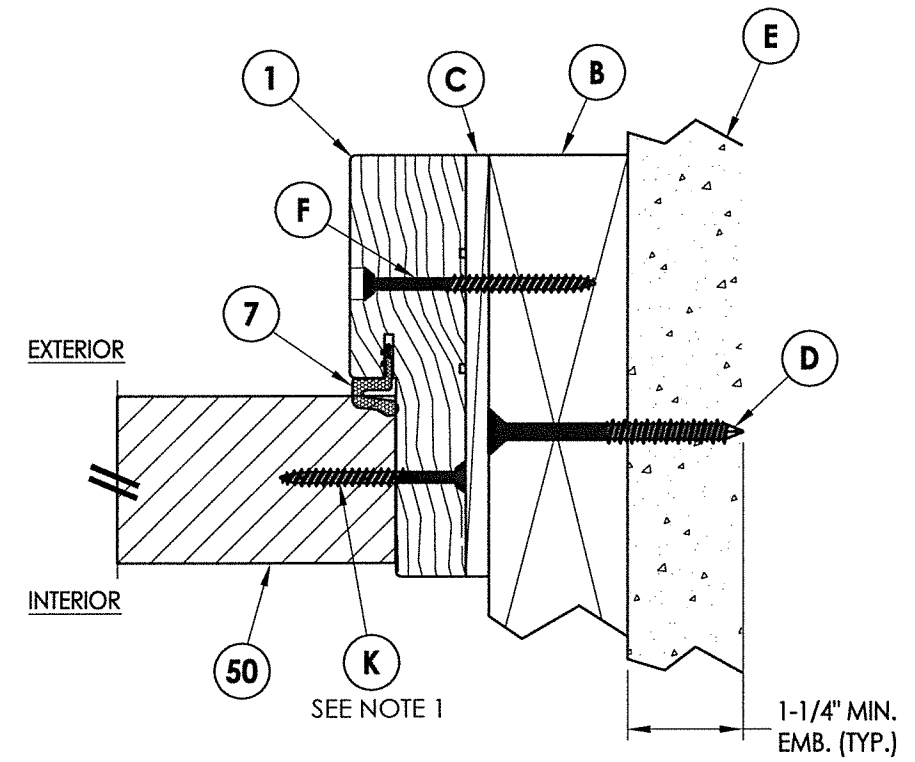
**1 HORIZONTAL CROSS SECTION**  
**5** Inswing  
 2X Buck Construction



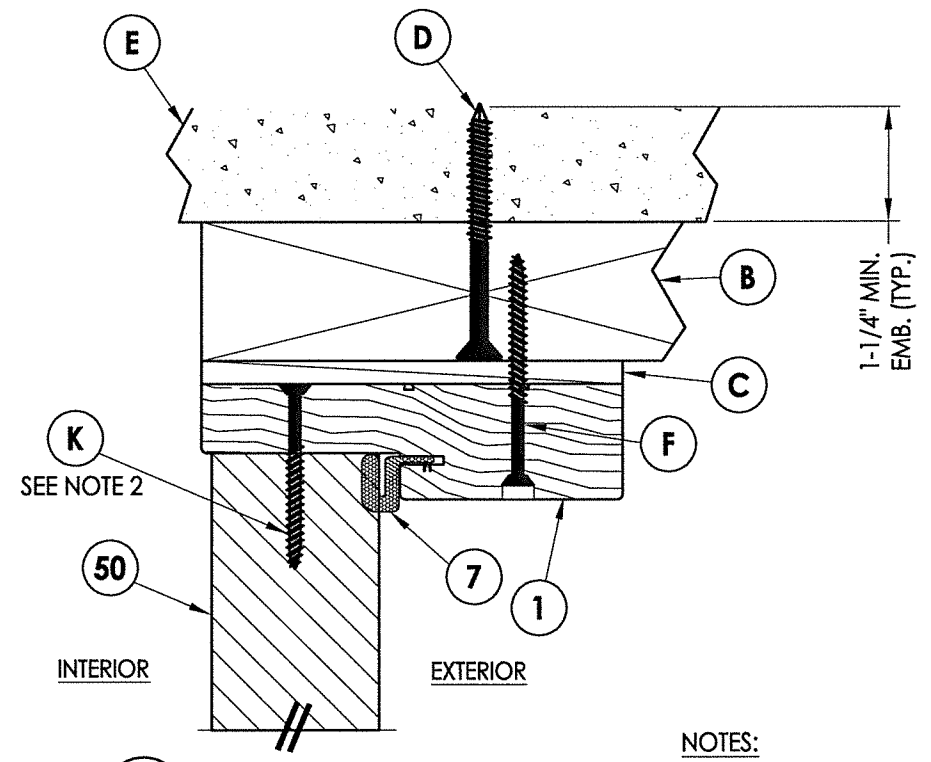
**2 HORIZONTAL CROSS SECTION**  
**5** Inswing  
 2X Buck Construction



**4 VERTICAL CROSS SECTION**  
**5** Inswing  
 2X Buck Construction



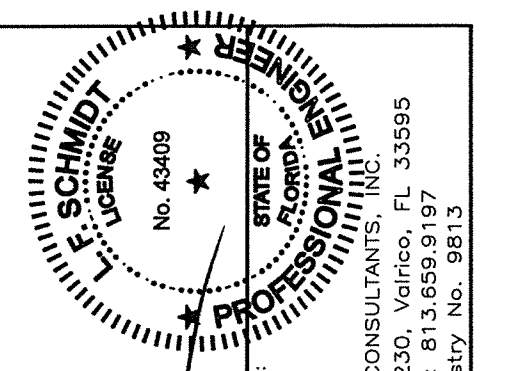
**3 HORIZONTAL CROSS SECTION**  
**5** Inswing  
 2X Buck Construction



**5 VERTICAL CROSS SECTION**  
**5** Inswing  
 2X Buck Construction

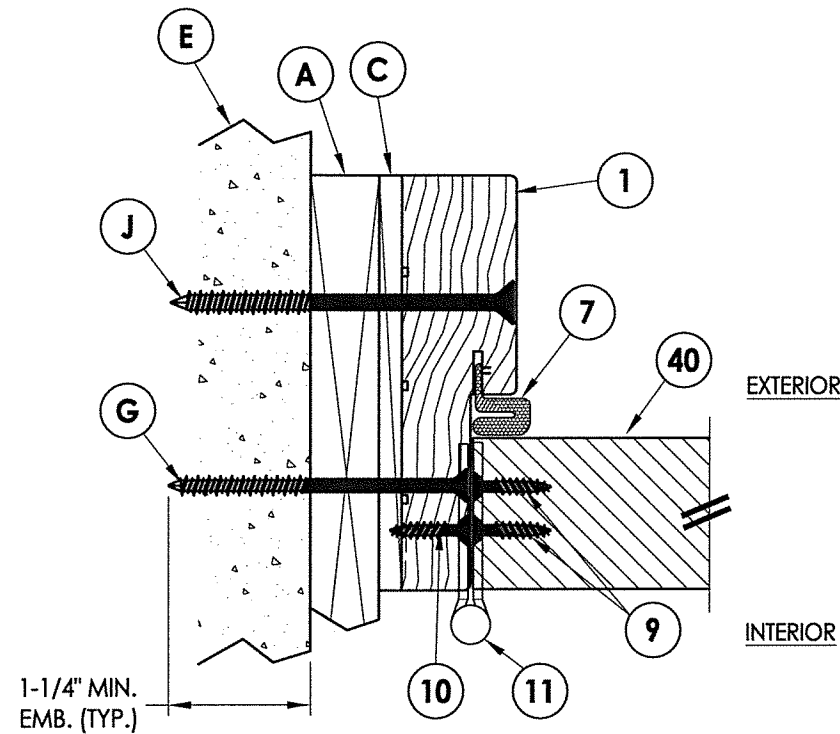
**NOTES:**

- Sidelite attached @ 6" from each end plus 4 more screws equally spaced between (6 screws total per jamb).
- Sidelite attached @ 3" from each end (2 screws total @ head).

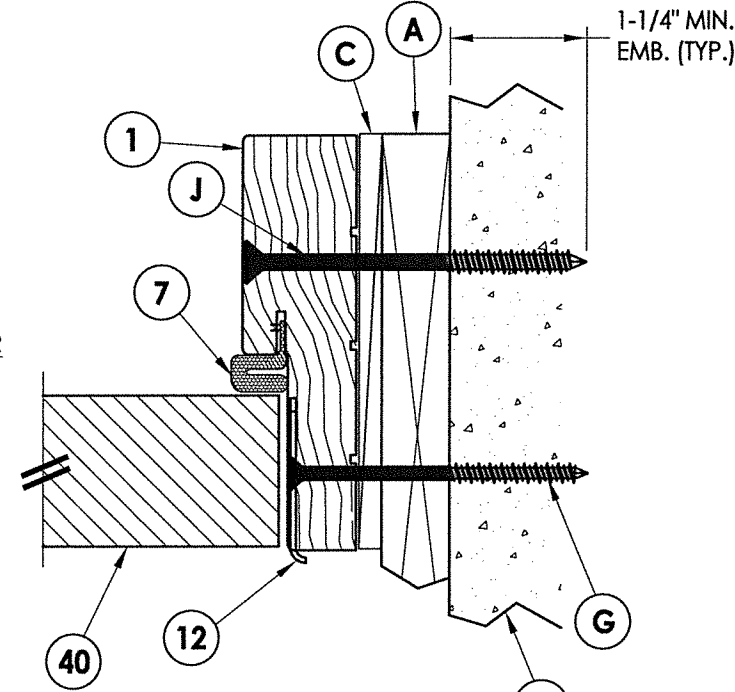


August 6, 2020  
 Documents Prepared By:  
 Lyndon F. Schmidt  
 P.E. No. 43409  
 R.W. BUILDING CONSULTANTS, INC.  
 P.O. Box 230, Vairico, FL 33595  
 Phone No.: 813.659.9197  
 FBPE Registry No. 9813

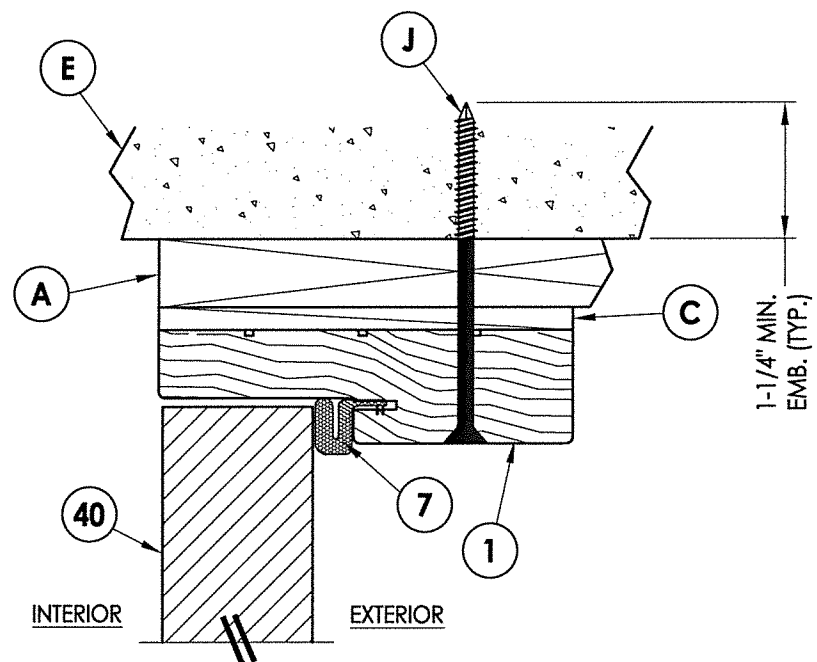
PRODUCT:		DOORSCAPES FIBERGLASS DOOR	
PART OR ASSEMBLY:		HORIZONTAL & VERTICAL CROSS SECTIONS (2X BUCK)	
NO.	DATE	BY	REVISIONS
1	8/06/20	LFS	UPDATE TO 7TH ED. (2020) FBC
DATE: 1/21/19		SCALE: N.T.S.	
DWG. BY: MT		CHK. BY: LFS	
DRAWING NO.: FL-28831.1		SHEET 5 OF 12	



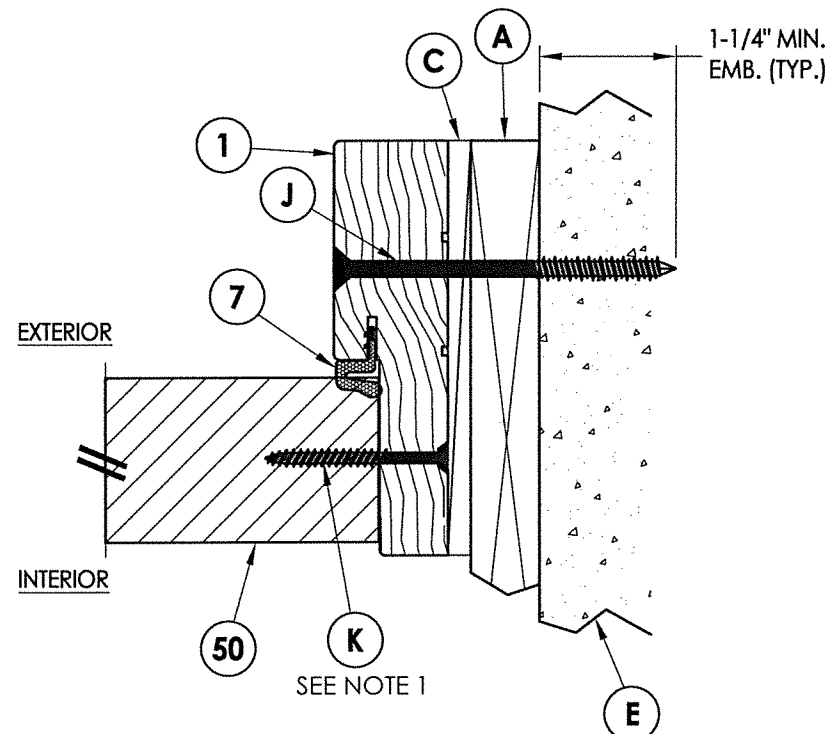
**1** **HORIZONTAL CROSS SECTION**  
**6** Inswing  
 1X Buck Construction



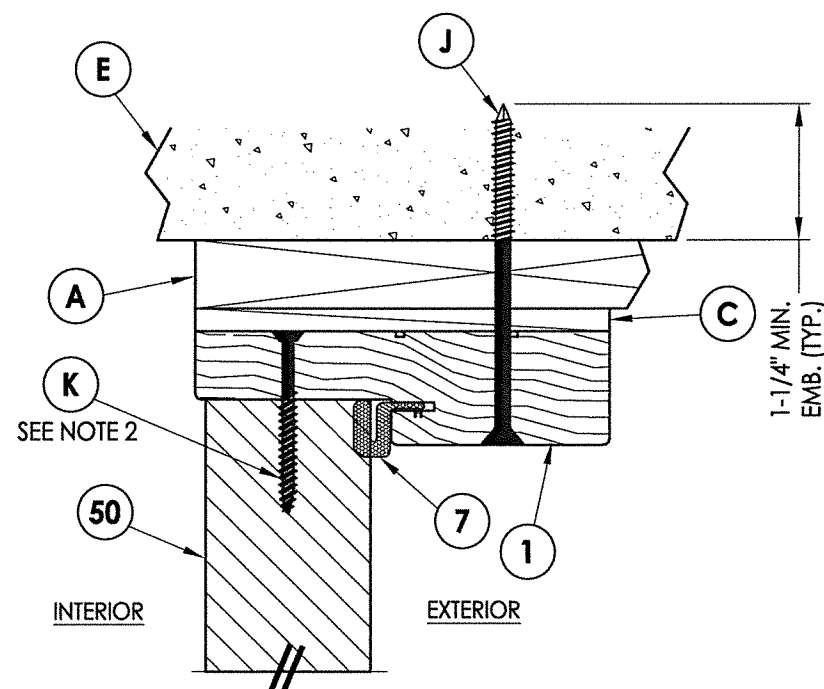
**2** **HORIZONTAL CROSS SECTION**  
**6** Inswing  
 1X Buck Construction



**4** **VERTICAL CROSS SECTION**  
**6** Inswing  
 1X Buck Construction



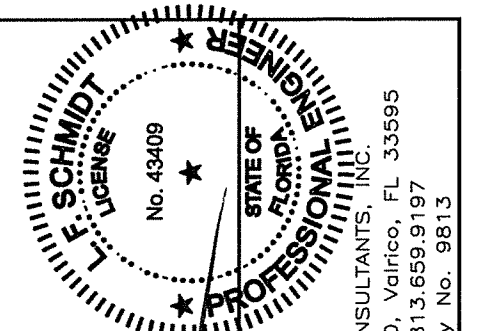
**3** **HORIZONTAL CROSS SECTION**  
**6** Inswing  
 1X Buck Construction



**5** **VERTICAL CROSS SECTION**  
**6** Inswing  
 1X Buck Construction

**NOTES:**

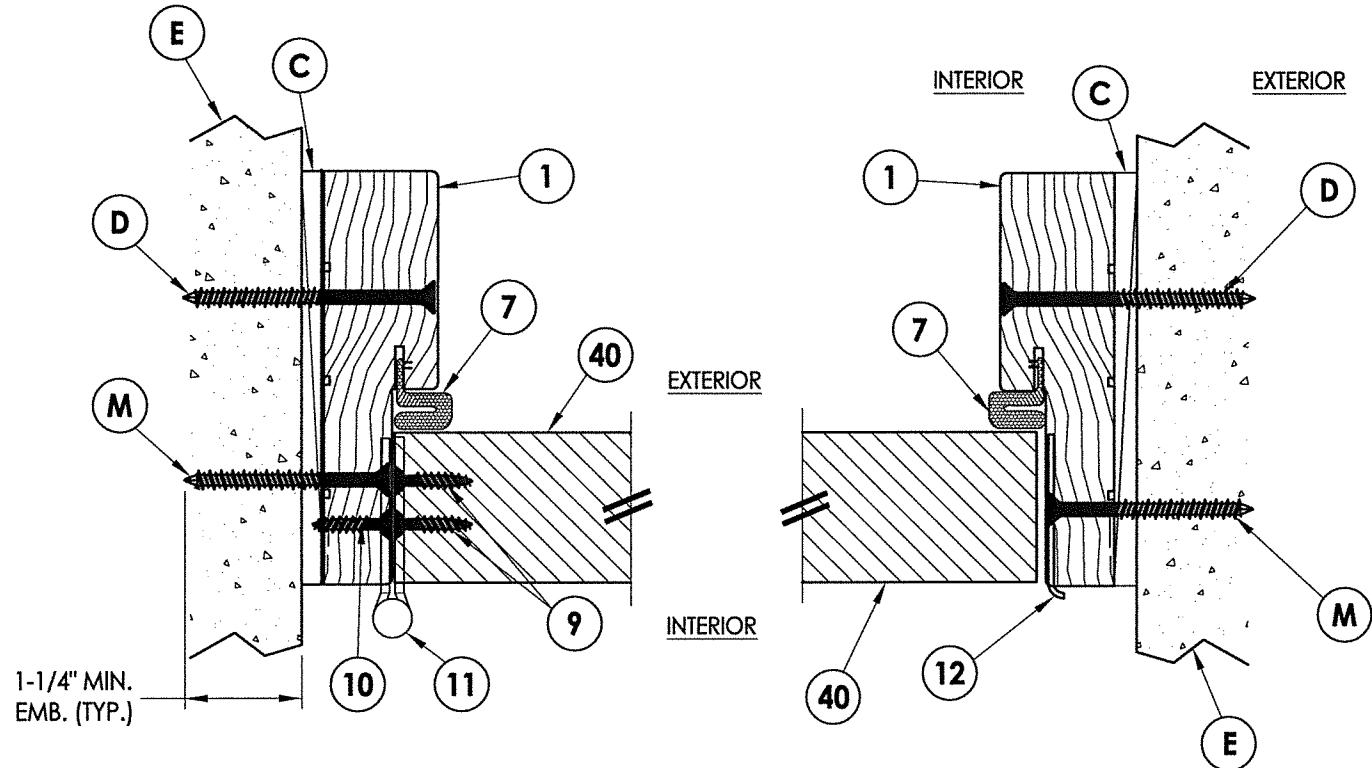
- Sidelite attached @ 6" from each end plus 4 more screws equally spaced between (6 screws total per jamb).
- Sidelite attached @ 3" from each end (2 screws total @ head).



August 6, 2020  
 Documents Prepared By:  
 Lyndon F. Schmidt  
 P.E. No. 43409  
 R.W.  
 BUILDING CONSULTANTS, INC.  
 P.O. Box 230, Valrico, FL 33595  
 Phone No.: 813.659.9197  
 FBPE Registry No. 9813

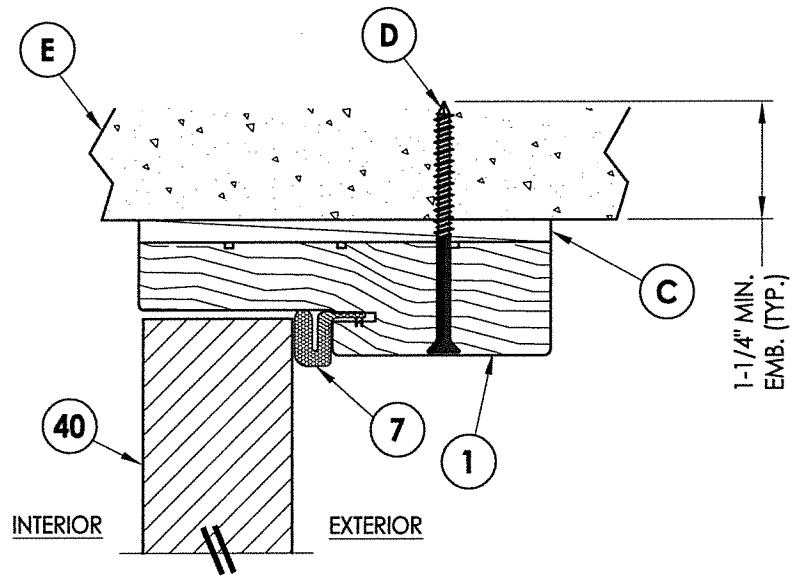
PRODUCT:		DOORSCAPES FIBERGLASS DOOR	
PART OR ASSEMBLY:		HORIZONTAL & VERTICAL CROSS SECTIONS (1X BUCK)	
NO.	DATE	BY	REVISIONS
1	8/06/20	LFS	UPDATE TO 7TH ED. (2020) FBC
DATE: 1/21/19			
SCALE: N.T.S.			
DWG. BY: MT			
CHK. BY: LFS			
DRAWING NO.: FL-28831.1			
SHEET 6 OF 12			

R:\Clients\Doorscapes\A - Florida Product Approvals\FL-28831 (FG Door)\C - Drawings\FL-28831 (2020)\FL28831.1-2.dwg, 7.1

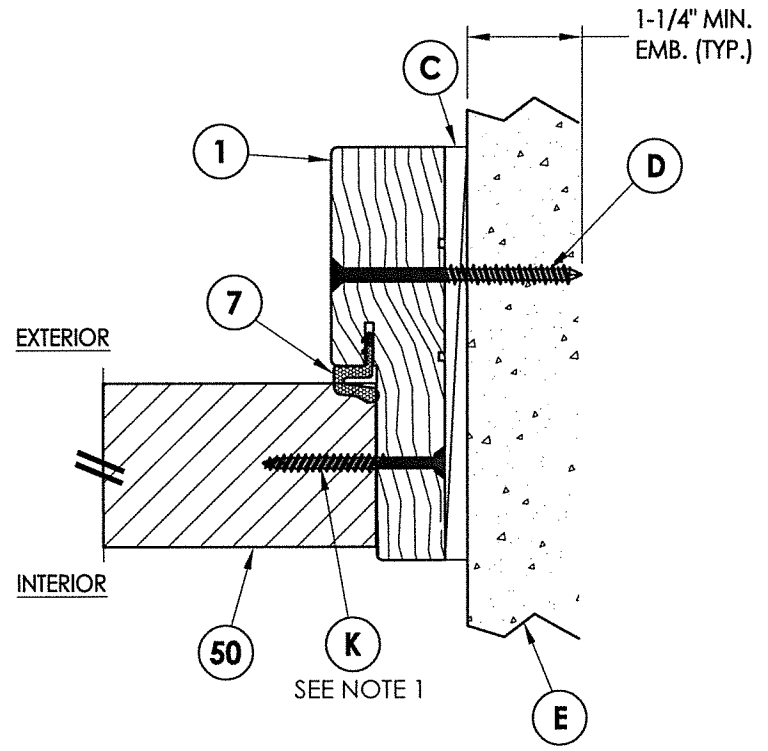


**1**  
**7** **HORIZONTAL CROSS SECTION**  
Inswing  
Shown Direct to Masonry

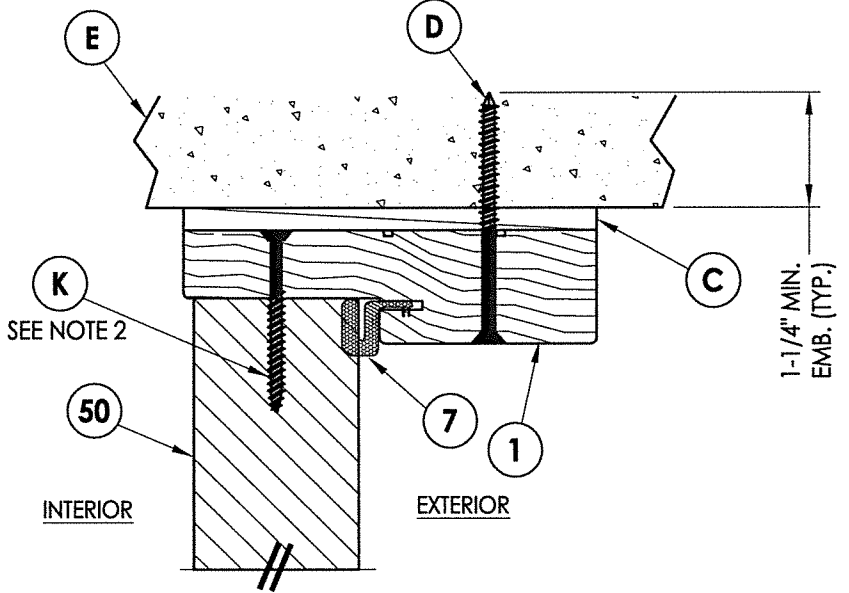
**2**  
**7** **HORIZONTAL CROSS SECTION**  
Inswing  
Shown Direct to Masonry



**4**  
**7** **VERTICAL CROSS SECTION**  
Inswing  
Shown Direct to Masonry



**3**  
**7** **HORIZONTAL CROSS SECTION**  
Inswing  
Shown Direct to Masonry

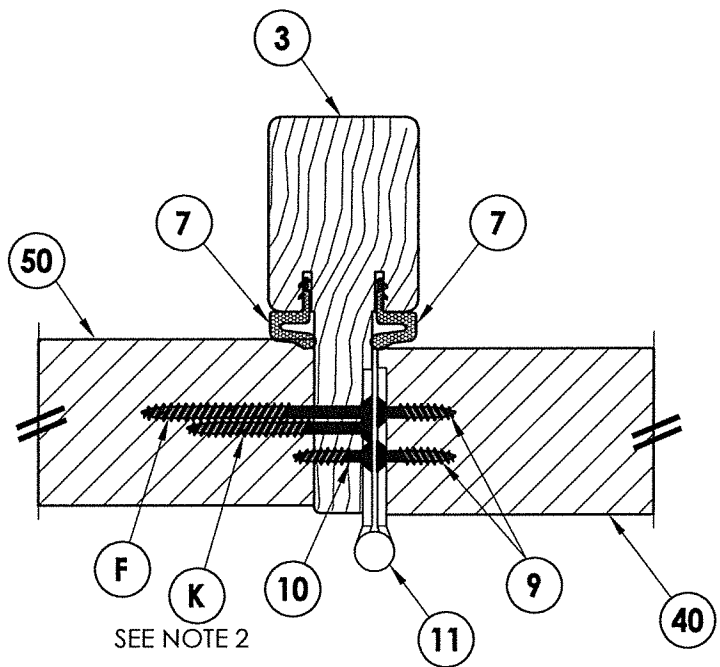


**5**  
**7** **VERTICAL CROSS SECTION**  
Inswing  
Shown Direct to Masonry

- NOTES:**
- Sidelite attached @ 6" from each end plus 4 more screws equally spaced between (6 screws total per jamb).
  - Sidelite attached @ 3" from each end (2 screws total @ head).

August 6, 2020  
 Documents Prepared By:  
 Lyndon F. Schmidt  
 P.E. No. 43409  
 BUILDING CONSULTANTS, INC.  
 P.O. Box 230, Vairico, FL 33595  
 Phone No.: 813.659.9197  
 FBPE Registry No. 9813

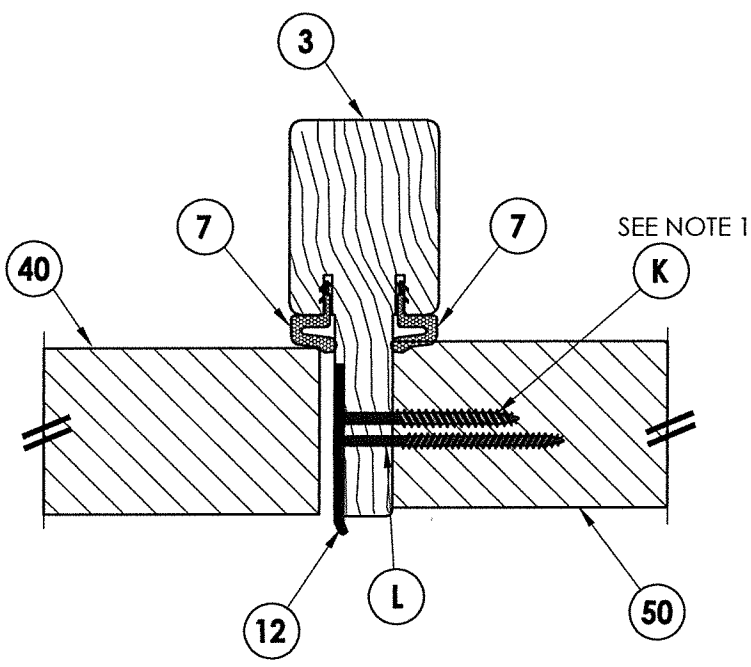
PRODUCT:		DOORSCAPES FIBERGLASS DOOR	
PART OR ASSEMBLY:		HORIZONTAL & VERTICAL CROSS SECTIONS (DIRECT TO MASONRY)	
NO.	DATE	BY	REVISIONS
1	8/06/20	LFS	UPDATE TO 7TH ED. (2020) FBC
DATE:		1/21/19	
SCALE:		N.T.S.	
DWG. BY:		MT	
CHK. BY:		LFS	
DRAWING NO.:		FL-28831.1	
SHEET		7 OF 12	



**1** HORIZONTAL CROSS SECTION  
**8** Inswing

EXTERIOR

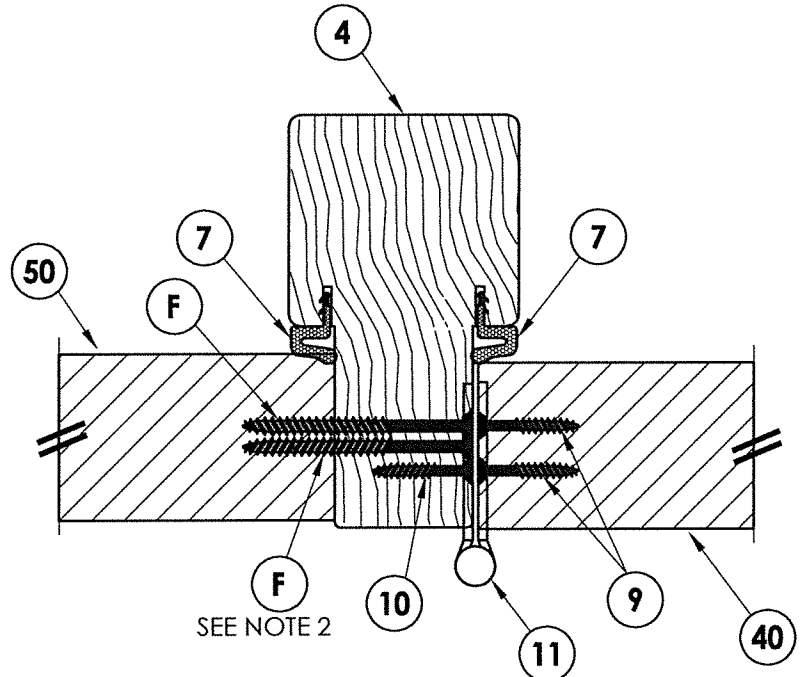
INTERIOR



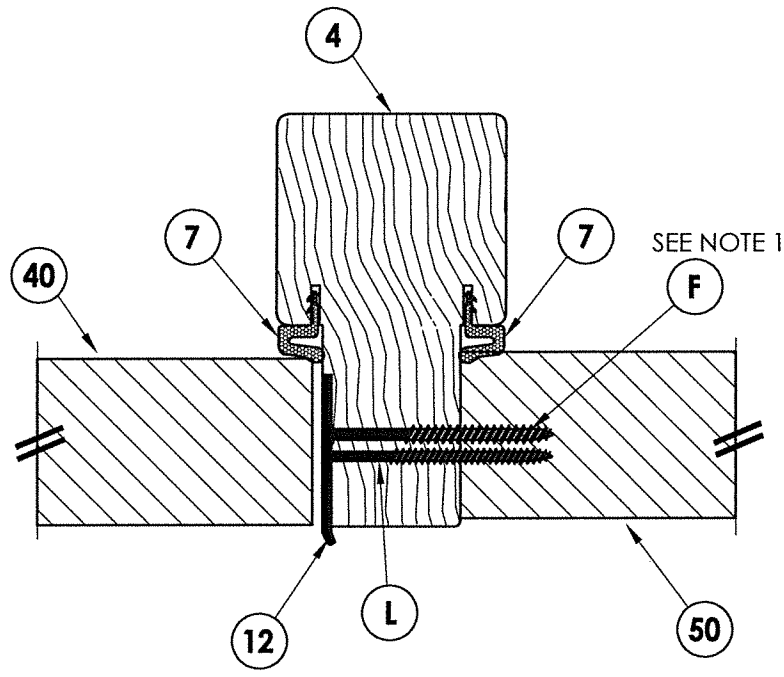
**2** HORIZONTAL CROSS SECTION  
**8** Inswing

EXTERIOR

INTERIOR



**3** HORIZONTAL CROSS SECTION  
**8** Inswing



**4** HORIZONTAL CROSS SECTION  
**8** Inswing

**NOTES:**

- Sidelite attached @ 6" from each end plus 4 more screws equally spaced between (6 screws total per jamb).
- Sidelite attached w/ 1 screw equally spaced between each hinge (2 screws total per mullion).

August 6, 2020

Documents Prepared By:  
Lyndon F. Schmidt  
P.E. No. 43409

**L. F. SCHMIDT**  
FL LICENSE No. 43409  
STATE OF FLORIDA  
PROFESSIONAL ENGINEER

*RW*

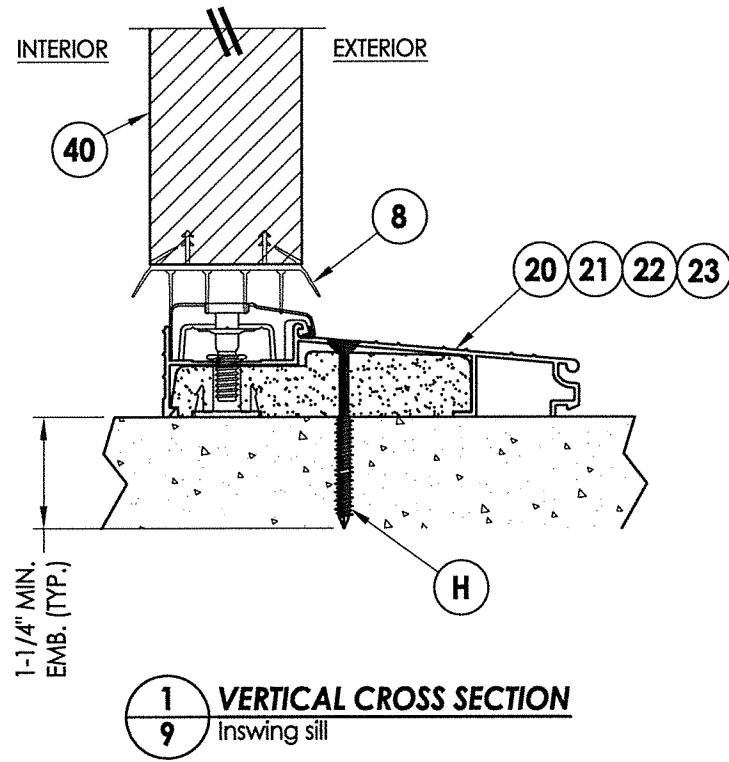
BUILDING CONSULTANTS, INC.  
P.O. Box 230, Valrico, FL 33595  
Phone No.: 813.659.9197  
FBPE Registry No. 9813

PRODUCT:	DOORSCAPES FIBERGLASS DOOR
PART OR ASSEMBLY:	HORIZONTAL CROSS SECTIONS

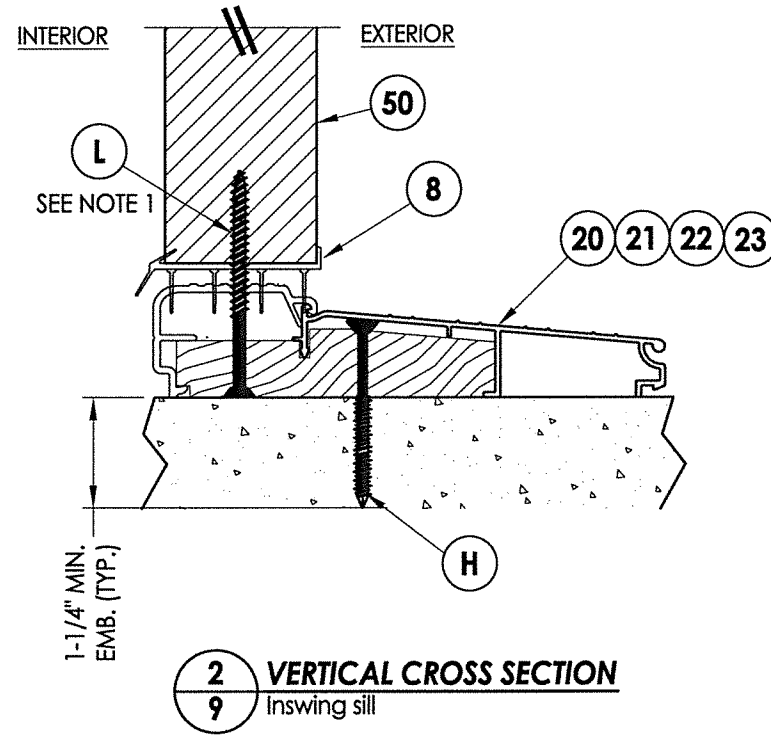
NO.	DATE	BY
1	8/06/20	LFS
UPDATE TO 7TH ED. (2020) FBC		

DATE:	1/21/19
SCALE:	N.T.S.
DWG. BY:	MT
CHK. BY:	LFS
DRAWING NO.:	FL-28831.1
SHEET	8 OF 12



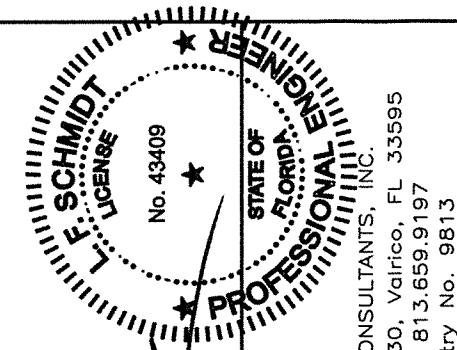


**1** VERTICAL CROSS SECTION  
**9** Inswing sill



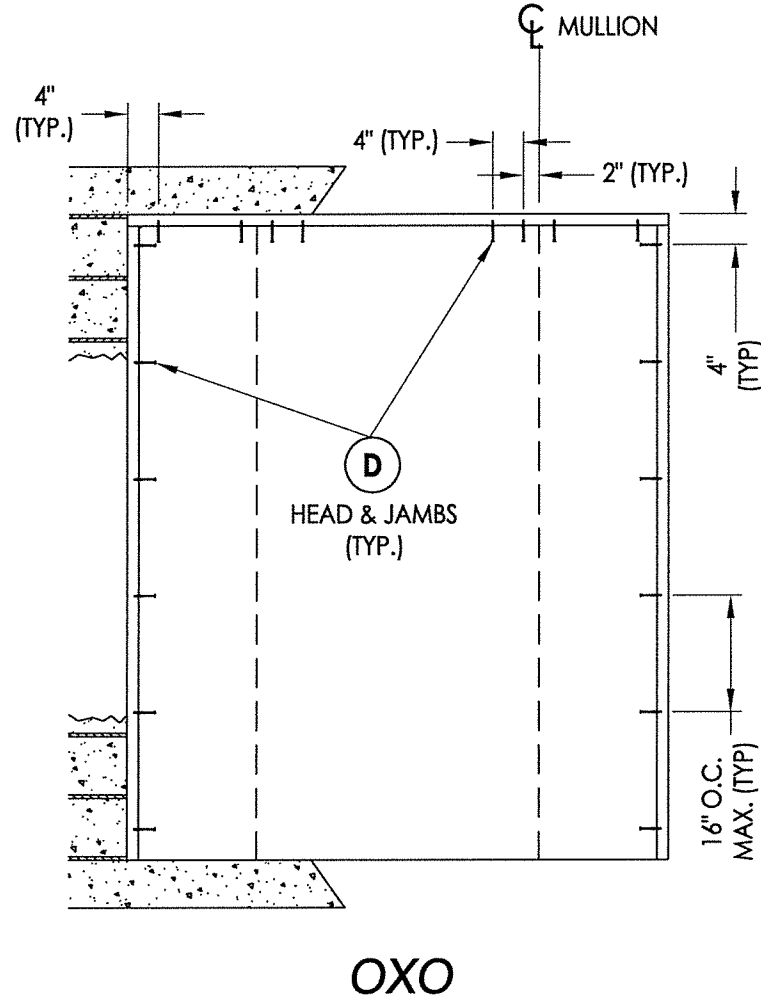
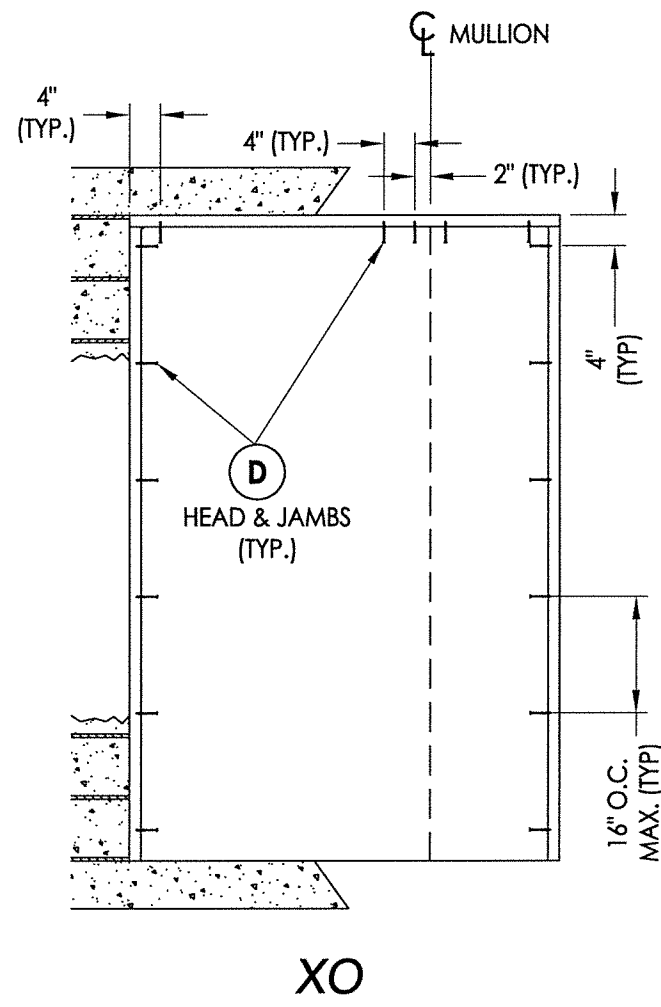
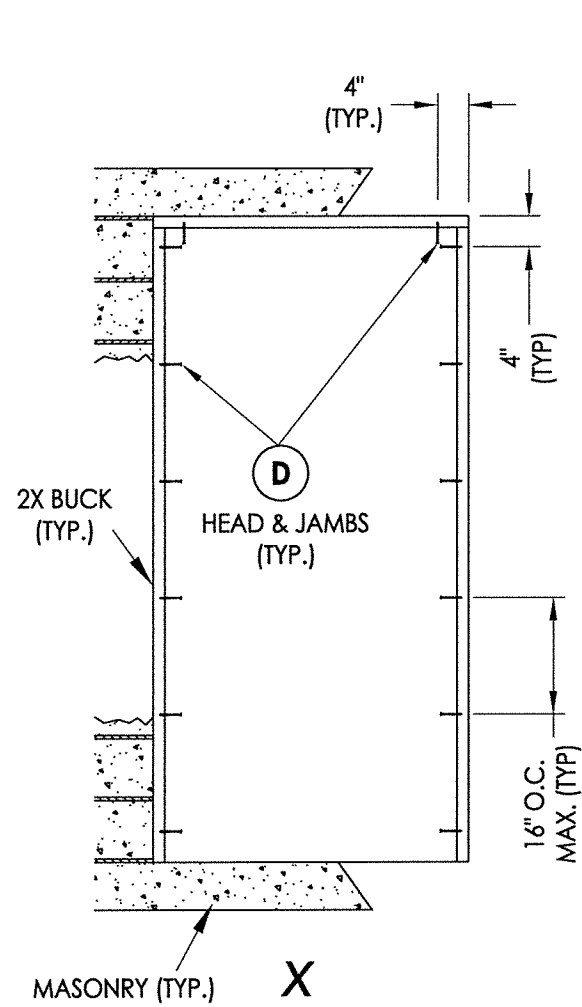
**2** VERTICAL CROSS SECTION  
**9** Inswing sill

**NOTE:**  
 1. Sidelite attached @ 3" from each end (2 screws total @ sill).

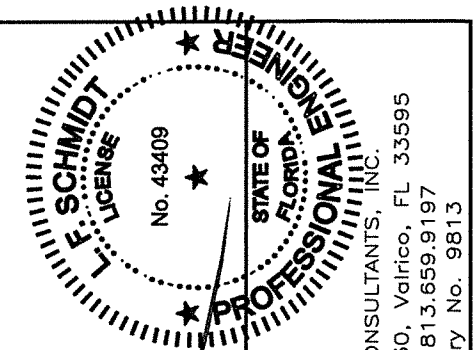


August 6, 2020  
 Documents Prepared By:  
 Lyndon F. Schmidt  
 P.E. No. 43409  
 BUILDING CONSULTANTS, INC.  
 P.O. Box 230, Valrico, FL 33595  
 Phone No.: 813.659.9197  
 FBPE Registry No. 9813

PRODUCT:		DOORSCAPES FIBERGLASS DOOR	
PART OR ASSEMBLY:		VERTICAL CROSS SECTIONS	
NO.	DATE	BY	REVISIONS
1	8/06/20	FBC	UPDATE TO 7TH ED. (2020)
		LFS	
DATE: 1/21/19			
SCALE: N.T.S.			
DWG. BY: MT			
CHK. BY: LFS			
DRAWING NO.:		FL-28831.1	
SHEET 9		OF 12	



**2X BUCK ANCHORING**

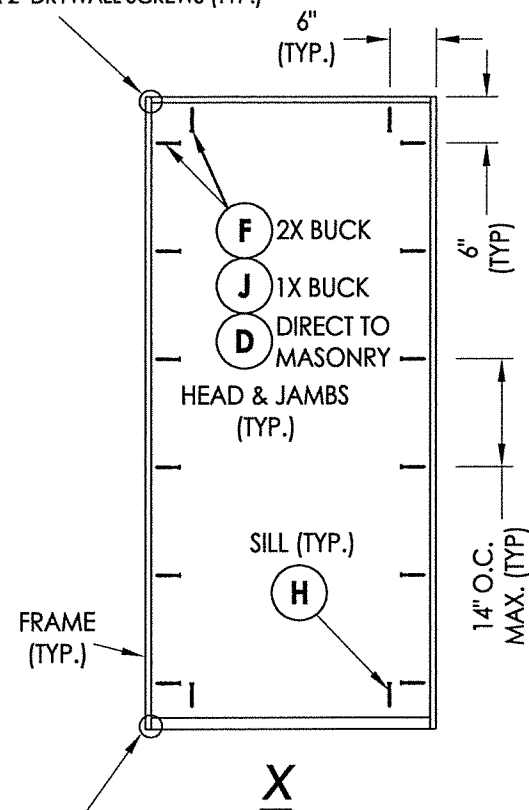


August 6, 2020  
 Documents Prepared By:  
 Lyndon F. Schmidt  
 P.E. No. 43409  
 R.W. BUILDING CONSULTANTS, INC.  
 P.O. Box 230, Vairico, FL 33595  
 Phone No.: 813.659.9197  
 FBPE Registry No. 9813

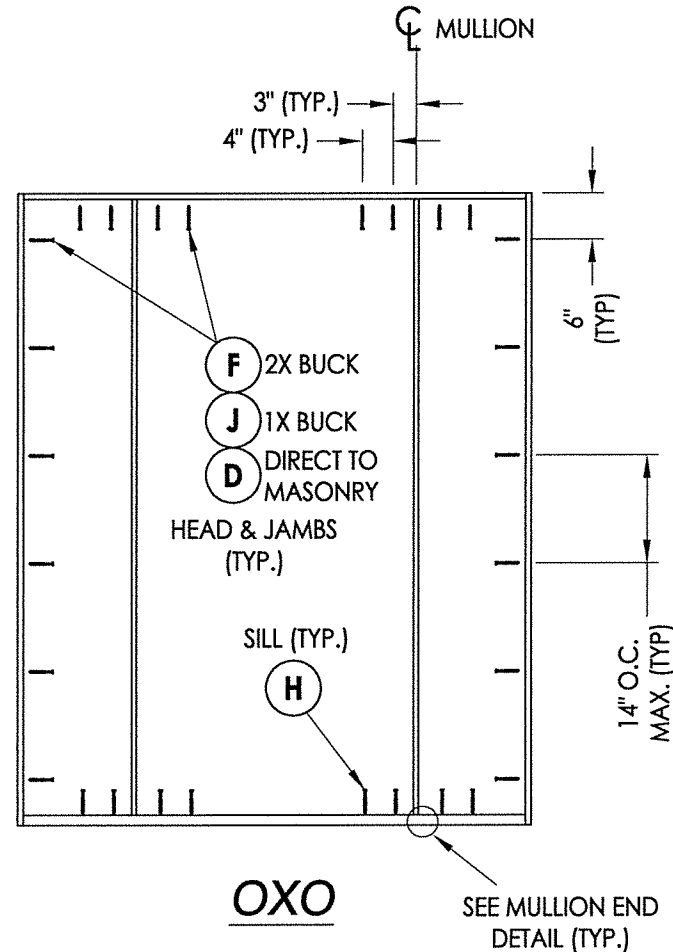
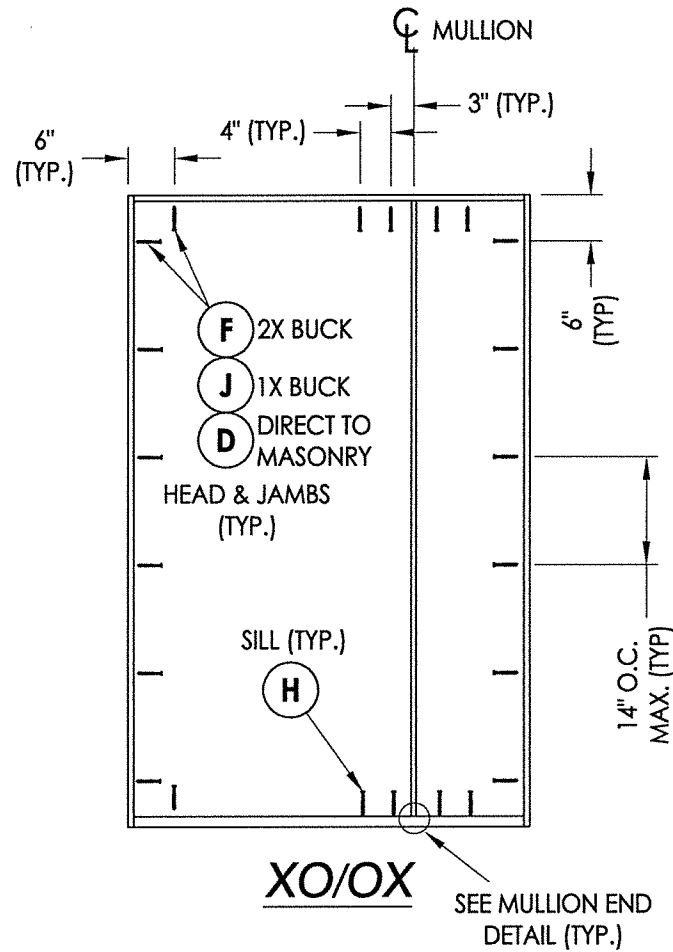
PRODUCT:		DOORSCAPES FIBERGLASS DOOR	
PART OR ASSEMBLY:		BUCK ANCHORING	
NO.	DATE	BY	REVISIONS
1	8/06/20	LFS	UPDATE TO 7TH ED. (2020)
DATE: 1/21/19		SCALE: N.T.S.	
DWG. BY: MT		CHK. BY: LFS	
DRAWING NO.: FL-28831.1		SHEET 10 OF 12	

R:\Clients\DoorScapes\A - Florida Product Approvals\FL-28831 (FG Door)\C - Drawings\FL-28831 (2020)\FL28831.1-2.dwg, 11.1

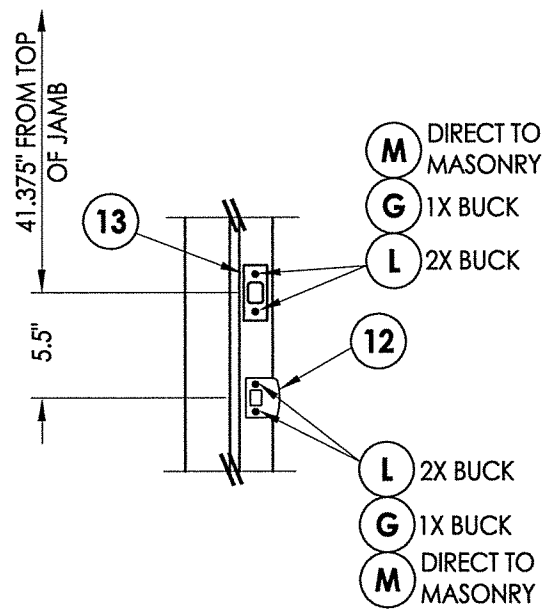
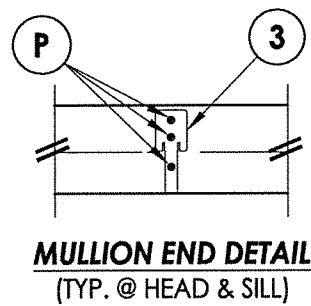
THE HEAD IS ATTACHED TO THE JAMB  
w/ (4) #7 X 2" DRYWALL SCREWS (TYP.)



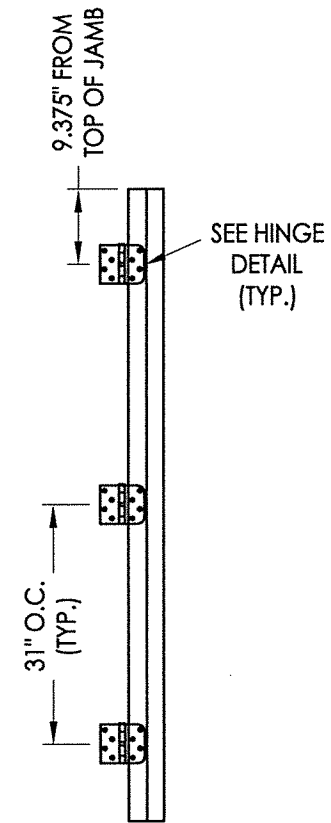
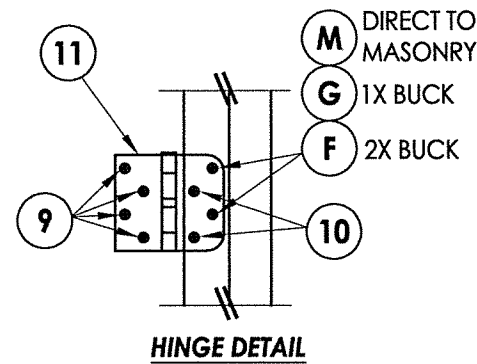
THE THRESHOLD IS ATTACHED TO THE JAMB  
w/ (4) 7/16" X 2" STEEL CROWN STAPLES (TYP.)



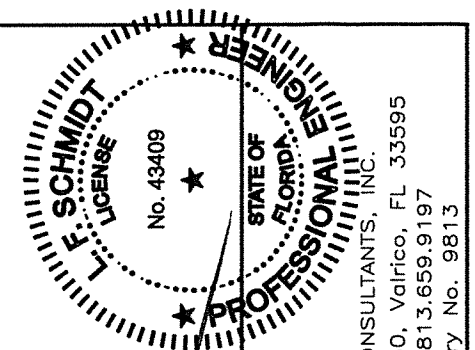
**FRAME ANCHORING**



**LATCH & DEADBOLT STRIKE DETAILS**



**HINGE JAMB**



August 6, 2020  
 Documents Prepared By:  
 Lyndon F. Schmidt  
 P.E. No. 4-3409  
 R.W. BUILDING CONSULTANTS, INC.  
 P.O. Box 230, Valrico, FL 33595  
 Phone No.: 813.659.9197  
 FBPE Registry No. 9813

PRODUCT:	DOORSCAPES FIBERGLASS DOOR
PART OR ASSEMBLY:	FRAME ANCHORING & HARDWARE DETAILS
DATE:	1/21/19
SCALE:	N.T.S.
DWG. BY:	MT
CHK. BY:	LFS
DRAWING NO.:	FL-28831.1
SHEET	11 OF 12

**BILL OF MATERIALS**

ITEM #	DESCRIPTION	MATERIAL
A	1X BUCK (G >= 0.42)	WOOD
B	2X BUCK (G >= 0.42)	WOOD
C	1/4" MAX. SHIM SPACE	-
D	1/4" X 2-3/4" PFH DeWALT OR ITW CONCRETE SCREW	STEEL
E	MASONRY - 3,000 PSI MIN. CONCRETE CONFORMING TO ACI 301 OR HOLLOW BLOCK CONFORMING TO ASTM C90	CONCRETE
F	#10 X 2-1/2" PFH WOOD SCREW (1.15" MIN. EMBEDMENT)	STEEL
G	3/16" X 3-1/4" PFH ITW CONCRETE SCREW	STEEL
H	1/4" X 2-1/4" PFH DeWALT OR ITW CONCRETE SCREW	STEEL
J	1/4" X 3-3/4" PFH DeWALT OR ITW CONCRETE SCREW	STEEL
K	#10 X 2" PFH WOOD SCREW	STEEL
L	#8 X 2-1/2" PFH WOOD SCREW	STEEL
M	3/16" X 2-1/4" PFH ITW CONCRETE SCREW	STEEL
P	#7 X 2-1/2" DRYWALL SCREW	STEEL
1	FINGER JOINT PINE JAMB (G >= 0.42)	WOOD
3	INTEGRAL MULLION - 1.625" WIDE (PINE, G >= 0.42)	WOOD
4	INTEGRAL MULLION - 2.5" WIDE (PINE, G >= 0.42)	WOOD
7	WEATHERSTRIP	FOAM
8	DOOR/SIDELITE BOTTOM SWEEP	VINYL
9	#9 X 1" PFH WOOD SCREW	STEEL
10	#10 X 3/4" PFH WOOD SCREW	STEEL
11	4" X 4" BUTT HINGE	STEEL
12	LATCH STRIKE PLATE	STEEL
13	DEADBOLT STRIKE PLATE	STEEL
20	INSWING THRESHOLD (AFCO A-125)	ALUM/WOOD
21	INSWING THRESHOLD (AFCO A-125)	ALUM/COMP
22	INSWING THRESHOLD (AFCO A-276)	ALUM/WOOD
23	INSWING THRESHOLD (AFCO A-280)	ALUM/WOOD
40	DOOR PANEL - SEE DOOR PANEL DETAIL SHEET FOR DETAILS	-
50	SIDELITE PANEL - SEE SIDELITE PANEL DETAIL SHEET FOR DETAILS	-

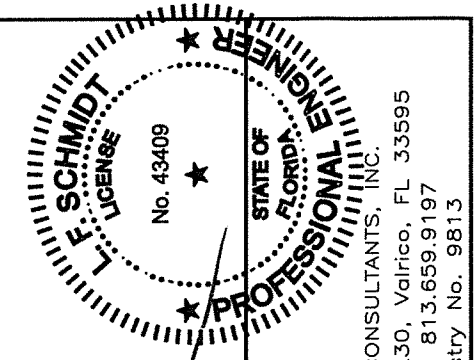
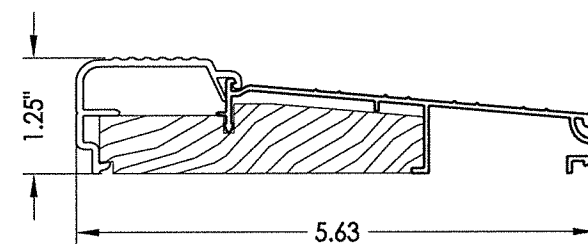
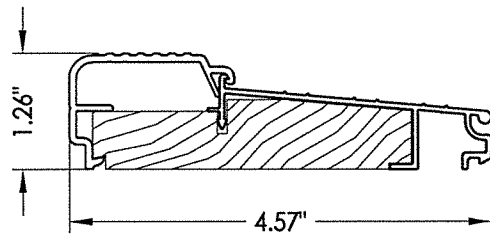
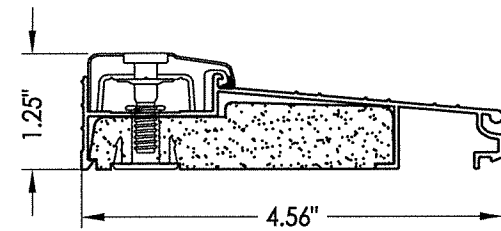
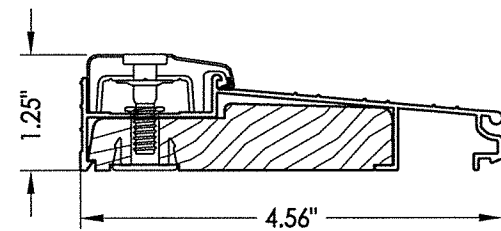
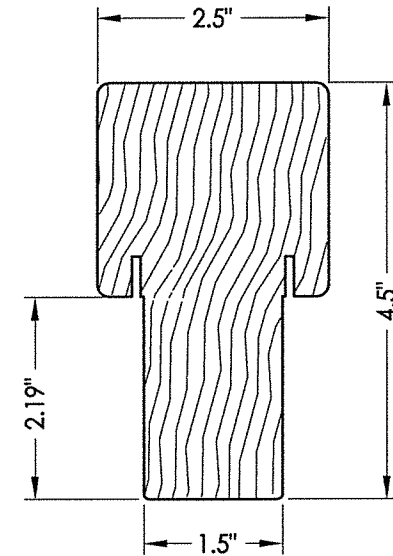
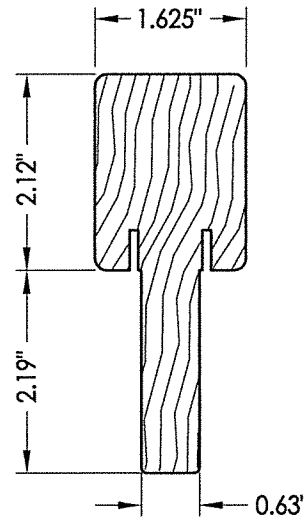
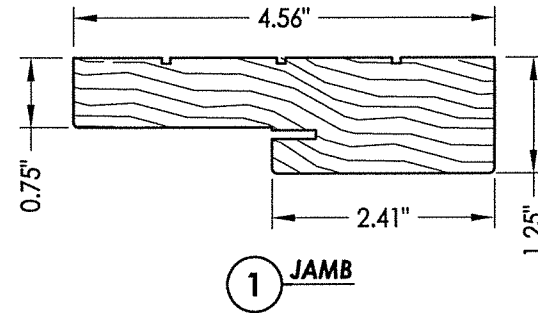
**CONCRETE ANCHOR NOTES:**

- Concrete anchor locations at the corners may be adjusted to maintain the min. edge distance to mortar joints.
- Concrete anchor locations noted as "MAX. ON CENTER" must be adjusted to maintain the min. edge distance to mortar joints, additional concrete anchors may be required to ensure the "MAX. ON CENTER" dimension are not exceeded.
- Concrete anchor table:

ANCHOR TYPE	ANCHOR SIZE	MIN. EMBEDMENT	MIN. CLEARANCE TO MASONRY EDGE	MIN. CLEARANCE TO ADJACENT ANCHOR
ITW BUILDEX TAPCON®	3/16"	1-1/4"	3"	1-1/2"
	1/4"	1-1/4"	2"	4"
DeWALT ULTRACON®	1/4"	1-1/4"	1"	4"

**WOOD SCREW INSTALLATION NOTES:**

- Maintain a minimum 5/8" edge distance, 1" end distance, & 1" o.c. spacing of wood screws to prevent the splitting of wood.



August 6, 2020  
 Documents Prepared By:  
 Lyndon F. Schmidt  
 P.E. No. 43409  
 BUILDING CONSULTANTS, INC.  
 P.O. Box 230, Valrico, FL 33595  
 Phone No.: 813.659.9197  
 FBPE Registry No. 9813

PRODUCT: DOORSCAPES FIBERGLASS DOOR  
 PART OR ASSEMBLY: BILL OF MATERIALS & COMPONENTS

NO.	DATE	REVISIONS
1	8/06/20	UPDATE TO 7TH ED. (2020) FBC
LFS	BY	

DATE: 1/21/19  
 SCALE: N.T.S.  
 DWG. BY: MT  
 CHK. BY: LFS  
 DRAWING NO.: FL-28831.1  
 SHEET 12 OF 12

R:\Clients\Doorscapes\A - Florida Product Approvals\FL-28831 (FG Door)\C - Drawings\FL-28831 (2020)\FL28831.1-2.dwg, 12.1

© 2019 R.W. BUILDING CONSULTANTS INC.